

Bridge-Bearing Neoprene Washer Bushing

BBN – Bridge-Bearing Neoprene Washer Bushings are commonly used in the industry to isolate bolts, studs, anchor bolts, and threaded rods from structural frames. Vibrasystem’s BBN washer bushings provide acoustical isolation, reduce transmission of minor vibrations, and prevent metal-to-metal contact between hardware and structural frames. Vibrasystems’s BBN washer bushings are made of high-quality bridge-bearing neoprene which is excellent for shock, vibration, rotation, and shear isolation.

Recommended for:

Vibrasystem’s Bridge-Bearing Neoprene Washer Bushings are designed to isolate bolts, anchor bolts, studs, and threaded rods at mounting points, motors, pumps, fans, mounting plates, outdoor units, circuit boards, etc. In seismic applications, the Bridge Bearing Neoprene Washer Bushing reduces bolt shearing impact forces.



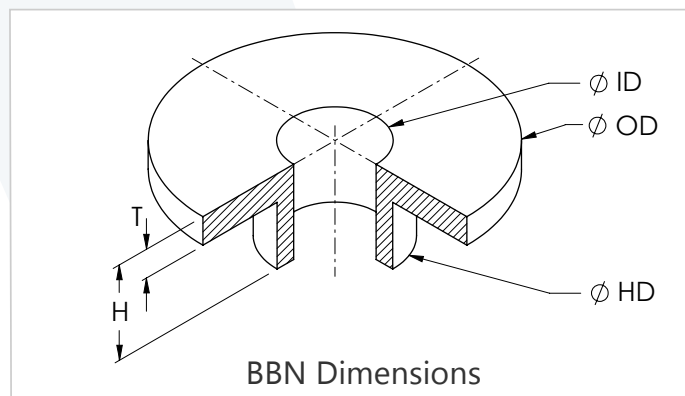
Technical Specifications: AASHTO Neoprene			
ASTM Test Method	Properties		Value
D2240	Hardness (Shore A)		70
D412	Tensile (psi)		2,250 min.
	Ultimate Elongation (%)		300 min.
D746B	Cold Temperature (Celcius)		-40 °C min.
D1171	Ozone Resistance	100 hrs @ 100 PPHM @ 37.7°C	20% strain, no cracks
D395B	Compression Set	22 hrs @100°C	35% max.
D573	Heat Aging	70 hrs @100°C, Changed:	Hardness: + 15 points
			Tensile: -15% max.
			Elongation: -40% max.

Features:

- ✓ High-quality bridge-bearing neoprene for maximum performance and life span.
- ✓ Provide acoustical isolation by preventing metal-to-metal contact.
- ✓ Easy and fast to be installed in the field.
- ✓ Bridge Bearing Neoprene Washer Bushing reduces transmission of minor vibrations.
- ✓ Available from 1/4" up to 1" bolt diameter.

Bridge-Bearing Neoprene Washer Bushing

Model	Bolt Diameter		ID		HD		OD		T		H	
	(in)	(mm)	(in)	(mm)	(in)	(mm)	(in)	(mm)	(in)	(mm)	(in)	(mm)
BBN-25	1/4	6	1/4	6	1/2	13	1	25	1/8	3	3/8	10
BBN-38	3/8	10	3/8	10	5/8	16	1-1/4	32	1/8	3	1/2	13
BBN-50	1/2	13	1/2	13	3/4	19	1-5/8	41	1/8	3	1/2	13
BBN-63	5/8	16	5/8	16	7/8	22	2	51	3/16	5	5/8	16
BBN-75	3/4	19	3/4	19	1	25	2-1/4	57	3/16	5	5/8	16
BBN-100	1	25	1	25	1-1/4	32	2-3/4	70	1/4	6	7/8	22



Typical installation:

