

## CORK RUBBER MOUNTING PADS

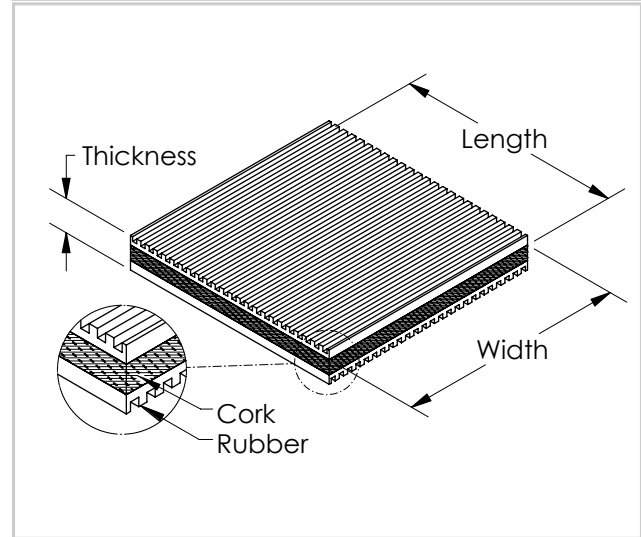
### CRMP Series

VibraSystem Inc. CRMP Cork Rubber Mounting Pad is designed to solve problems caused by structure born vibration and noise. Constructed of cork with opposed ribbed pads on either sides for added isolation and positive grip.

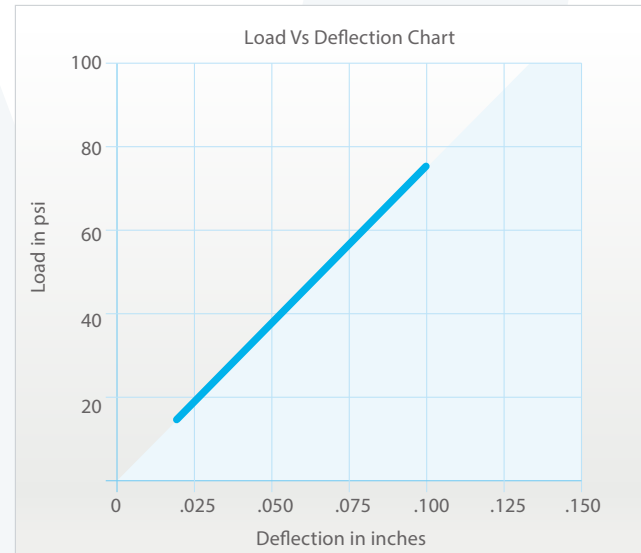
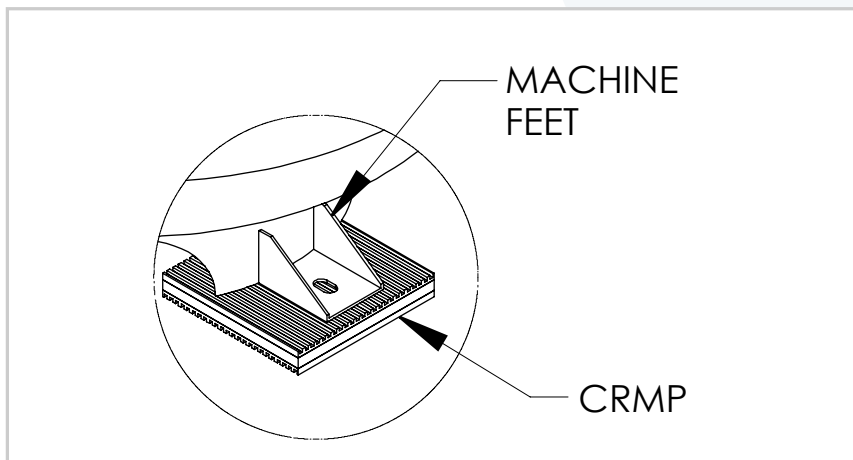
### Recommended for:

The CRMP Pad is suitable for applications where bolting is to be avoided and minor non-critical vibration conditions exist. It is also recommended for indoors applications such as compressors, blowers, AC units chillers, pumps, etc.

Model	Load Range per square inch (psi)	Dimensions in inches		
		Length (in)	Width (in)	Thickness (in)
CRMP-0202	15 - 75	2	2	1
CRMP-0303	15 - 75	3	3	1
CRMP-0404	15 - 75	4	4	1
CRMP-0606	15 - 75	6	6	1
CRMP-0808	15 - 75	8	8	1
CRMP-1212	15 - 75	12	12	1
CRMP-1818	15 - 75	18	18	1



### Typical Installation:



### Features:

- ✓ Excellent product for acoustic problems applications.
- ✓ Anti-skid surfaces through ribbed construction.
- ✓ Simple field installation / No bolting required.
- ✓ Working Range: 15 to 75 psi.
- ✓ Material: Special Rubber with low density cork.