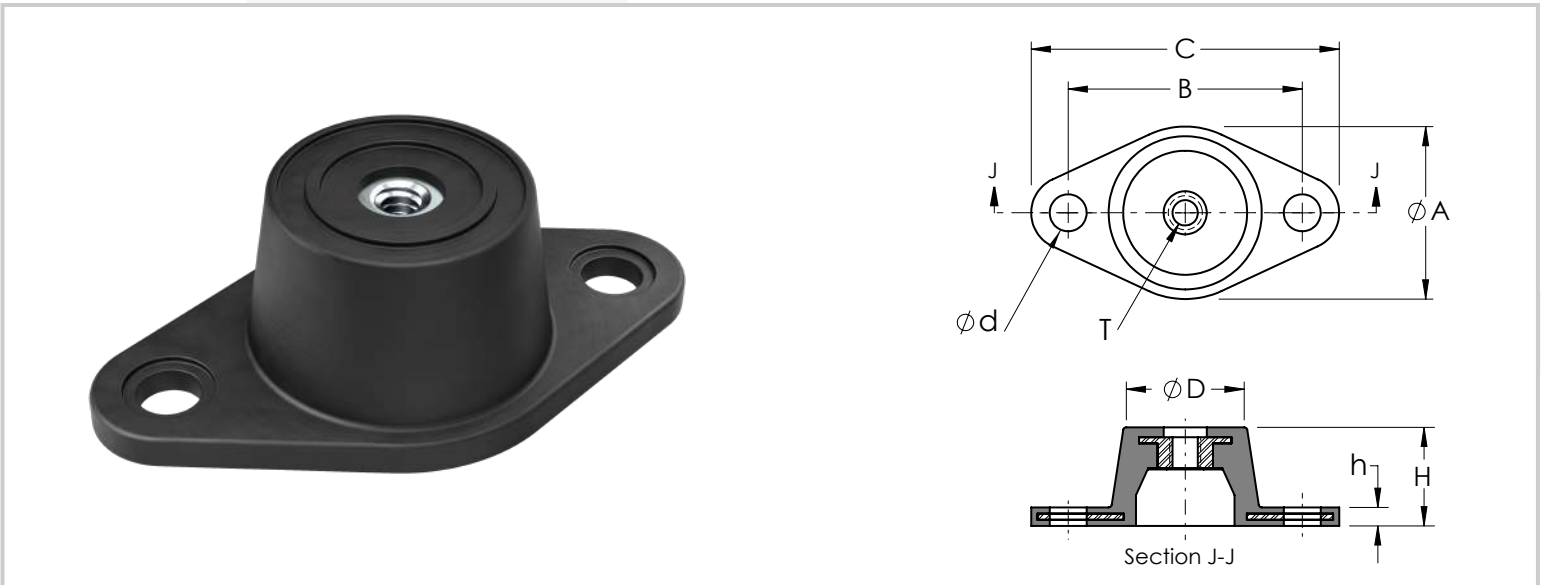


COMPRESSION RUBBER MOUNTS

FMD compression mounts have great vertical-direction flexibility, and significantly reduce transfer of vibration to the supporting structure. These models are designed for installation on applications with continuous and intermittent loads. Elastomeric bodies of the isolators effectively prevent metal-to-metal contact.

Recommended for:

Motors, fans, pumps, compressors, transformers, electrical, lab-testing equipment and cabinet enclosures, as well as HVAC and other industrial equipment.



Model	Maximum Load (lbs)	Mount dimensions in inches (in)								Color
		Width A	Hole Spacing B	Length C	D	Height H	h	Hole Ø d	Thread T	
FMD-1	50	1-3/4	2-3/8	3-1/8	1-1/4	1-1/4	3/16	5/16	5/16-18	Red
FMD-2	125	1-3/4	2-3/8	3-1/8	1-1/4	1-1/4	3/16	5/16	5/16-18	Green
FMD-3	200	1-3/4	2-3/8	3-1/8	1-1/4	1-1/4	3/16	5/16	5/16-18	Black
FMD-4	150	2-3/8	3	3-7/8	1-5/8	1-3/4	1/4	5/16	3/8-16	Red
FMD-5	225	2-3/8	3	3-7/8	1-5/8	1-3/4	1/4	5/16	3/8-16	Green
FMD-6	450	2-3/8	3	3-7/8	1-5/8	1-3/4	1/4	5/16	3/8-16	Black
FMD-7	450	3-3/8	4-1/8	5-1/2	2-3/8	3	5/16	9/16	1/2-13	Red
FMD-8	600	3-3/8	4-1/8	5-1/2	2-3/8	3	5/16	9/16	1/2-13	Green
FMD-8H	900	3-3/8	4-1/8	5-1/2	2-3/8	3	5/16	9/16	1/2-13	Green
FMD-9	1,200	3-3/8	4-1/8	5-1/2	2-3/8	3	5/16	9/16	1/2-13	Black

Features:

- ✓ Maximum dynamic loads should not exceed 70% of the maximum load capacity.
- ✓ Double deflection mounts provide better isolation for low frequency equipment such as fans, etc.
- ✓ FMD models 1 to 6 can be used for wall ceiling mounts installations.
- ✓ Durable and corrosion-resistant.

COMPRESSION RUBBER MOUNTS

