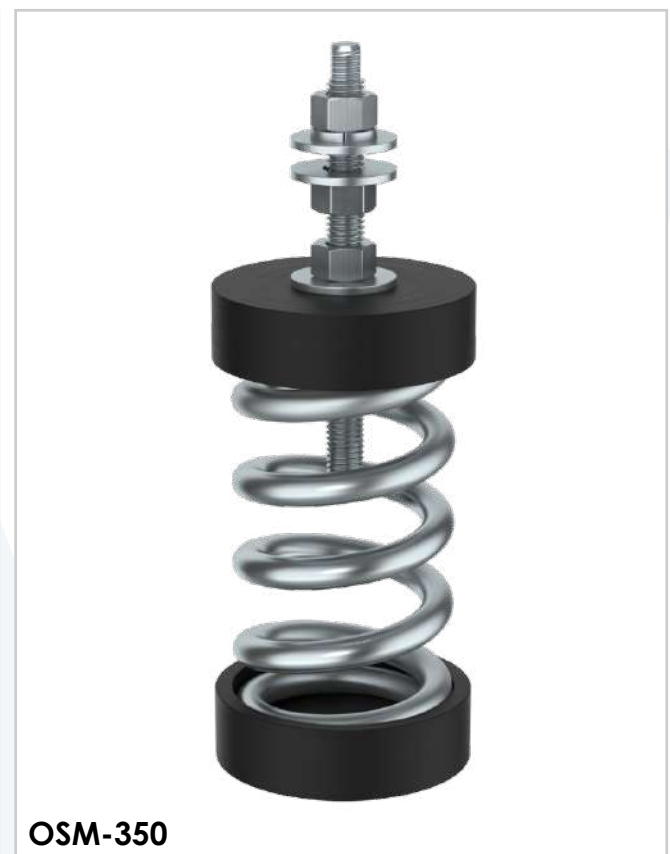
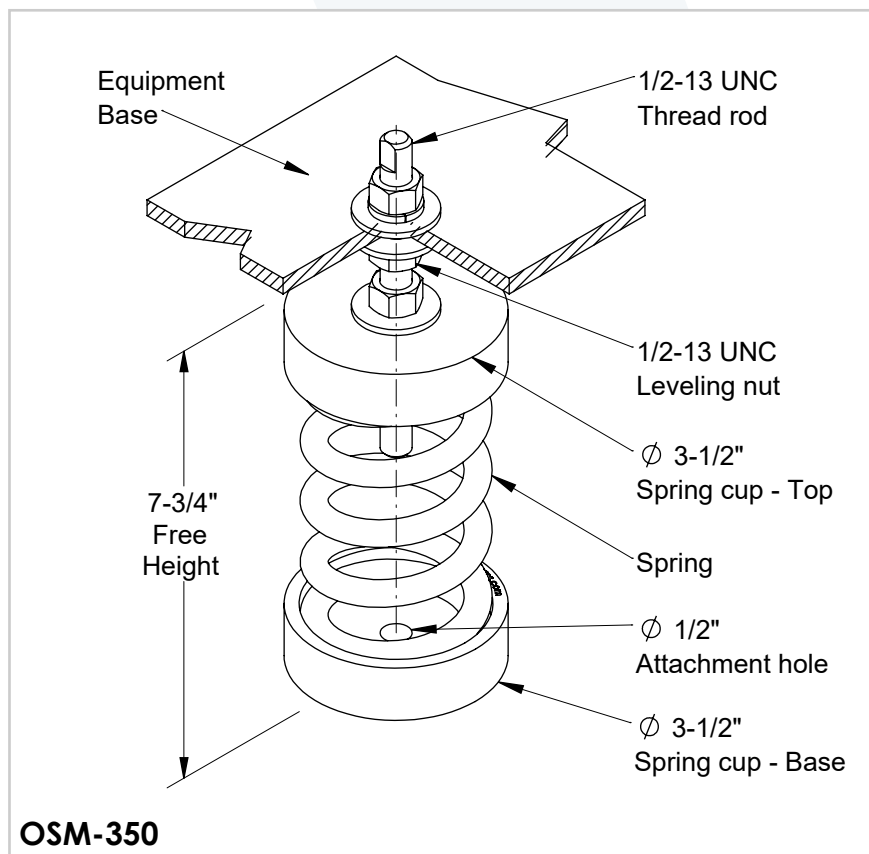


OPEN SPRING MOUNTS

OSM-350 open spring mounts are designed to provide efficient isolation from critical vibrations and efficiently protect structures from transferring vibrations. Top spring cup has a leveling nut for precise adjustments in height. Antivibration rubber cups reduce the transfer of vibrations and noise. Springs are colour coded for an easy identification.

Recommended for:

HVAC equipment, fan air circulation systems, compressors, pumps, chillers, AC units, cooling towers, inertia bases, etc.



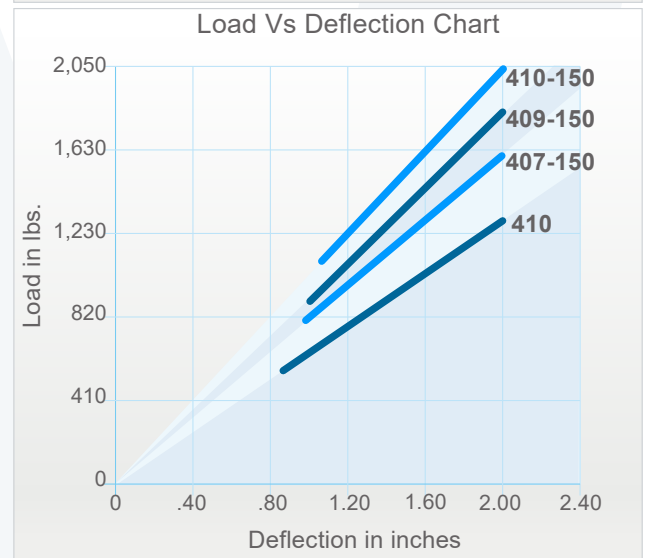
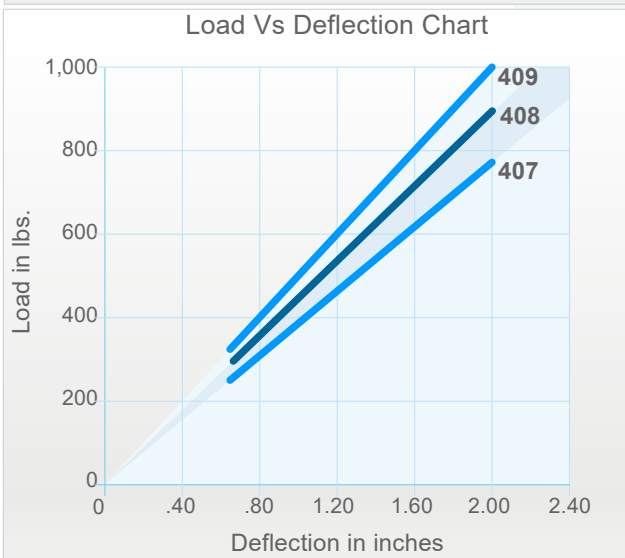
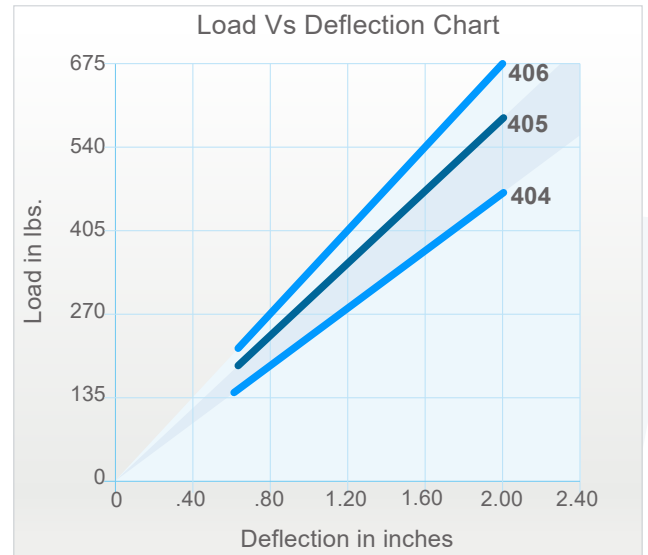
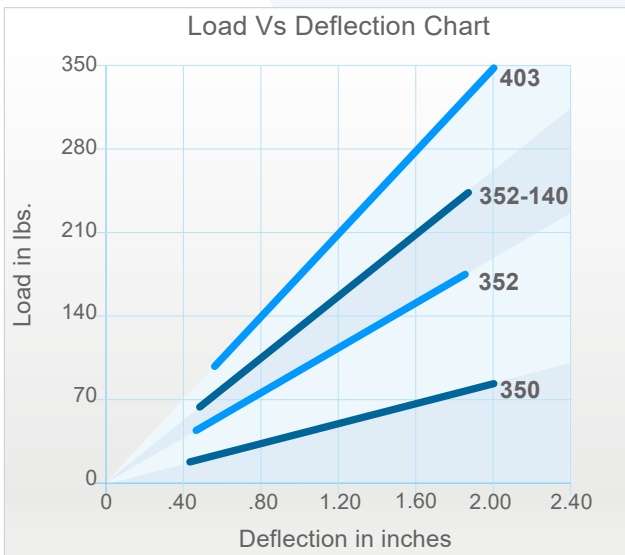
Features:

- ✓ All springs at rated loads have 50% additional travel to solid load.
- ✓ Leveling nut for easy height adjustment.
- ✓ Safety Factor - Springs will accommodate 50% extra load from rated load to solid load.
- ✓ Spring cup base has an attachment hole for anchoring.
- ✓ Elastomer spring cups provide better vibration isolation, load distribution, and noise reduction.
- ✓ Recommended load range: from 50% of rated load to rated load.
- ✓ Springs are color coded and easily replaceable.
- ✓ Springs have a minimum ratio of 0.8 for the diameter divided by the deflected spring height. (*)

2" DEFLECTION OPEN SPRING MOUNTS

Model	Rated Load (lbs)	Spring Rate (lbs/in)	Spring Color
OSM-350	80	40	Red
OSM-352	180	100	Plated
OSM-352-140	250	125	Plated/Black
OSM-403	348	174	Black
OSM-404	453	226	Blue
OSM-405	590	295	Red
OSM-406	676	338	Orange

Model	Rated Load (lbs)	Spring Rate (lbs/in)	Spring Color
OSM-407	787	393	Green
OSM-408	918	459	White
OSM-409	1,000	500	Brown
OSM-410	1,250	625	White
OSM-407-150	1,587	793	Green/Grey
OSM-409-150	1,800	900	Brown/Grey
OSM-410-150	2,050	1,025	White/Grey



Notes:

- Do not use Open Spring Mounts for external applications without independent restraints.
- Open Spring Mounts are not designed to accommodate angular misalignments, and must not be used for tensile or shear loadings.
- Rated load is the maximum load recommended.
- 350 Spring: 3" Outside diameter x 5" Free Length. (*)
- 140 Spring & 170 Spring: 2" Outside diameter x 5" Free Length.
- 400 Spring: 3" Outside diameter x 5.75" Free Length. (*)
- 150 Spring: 2" Outside diameter x 5.75" Free Length.