

## COMPRESSION SHEAR MOUNTS

**VSCM/CMSS** compression-shear cup/engine mounts provide excellent protection against vibration and shock in all directions. These mounts are designed so that the rubber element is in compression no matter the orientation of the load.

Fail-safe construction is accomplished by interlocking the metal base which contains the rubber element and the metal top cap. Models **VSCM** are made of bright zinc plated mild steel while the models **CMSS** are made of stainless steel.

The models VSCM-40/60/1/2/3/4 have a diamond shape base while the models VSCM-5/6/7/8 have a square base shape.

Due to each mount's ability to isolate vertical and horizontal forces, they are used in a wide variety of industrial applications.



### Recommended for:

Industrial machinery, centrifuges, blowers, transformers, combustion engines, motors, marine equipment, industrial diesel generator sets, pumps, HVAC equipment, factory production equipment, and applications where anchoring is required.

### Features:

- ✓ Excellent vibration-dampening characteristics under vertical compression and shear loads.
- ✓ Available in mild steel and stainless steel.
- ✓ Low profile compact design.
- ✓ Cup-shaped top cap protects elastomer (rubber) from oils, industrial solvents and chemicals.
- ✓ Fail-safe construction allows mild vertical tensile forces.

VSCM-40/60/1/2/3/4  
CMSS-40/60/1/2/3/4



**Diamond Base**

VSCM-5/6/7/8  
CMSS-7/8

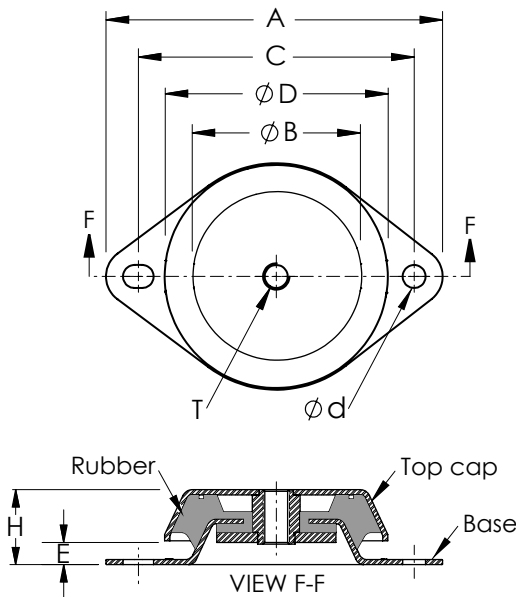


**Square Base**

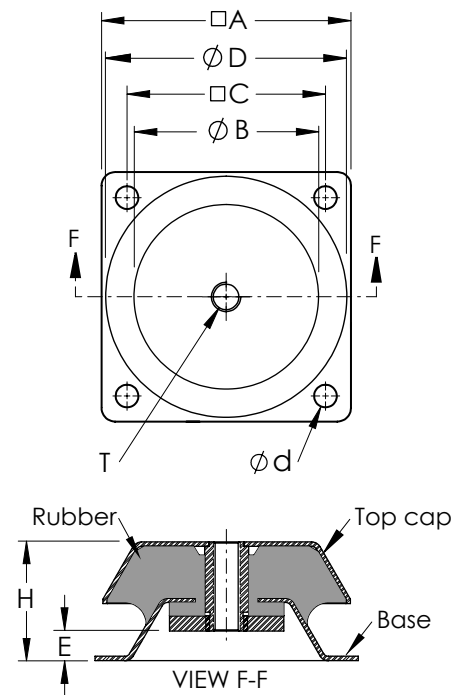
## COMPRESSION SHEAR MOUNTS

| Model        |                 | Compression load (lbs) |        | Overall dimensions in inches (in) |       |              |        |          |          |      |          |
|--------------|-----------------|------------------------|--------|-----------------------------------|-------|--------------|--------|----------|----------|------|----------|
| Plated Steel | Stainless Steel | Non-Impact             | Impact | Width                             |       | Hole Spacing |        | Height H | Hole Ø d | E    | Thread T |
|              |                 |                        |        | A                                 | B     | C            | D      |          |          |      |          |
| VSCM-40      | CMSS-40         | 150                    | 90     | 3-11/16                           | 1-7/8 | 3            | 2-7/16 | 1-3/8    | 3/8      | 5/16 | 3/8-16   |
| VSCM-60      | CMSS-60         | 300                    | 180    | 3-11/16                           | 1-7/8 | 3            | 2-7/16 | 1-3/8    | 3/8      | 5/16 | 3/8-16   |
| VSCM-1       | CMSS-1          | 400                    | 250    | 6                                 | 2-3/4 | 5            | 3-5/8  | 1-3/8    | 3/8      | 1/4  | 1/2-13   |
| VSCM-2       | CMSS-2          | 700                    | 450    | 6                                 | 2-3/4 | 5            | 3-5/8  | 1-3/8    | 3/8      | 1/4  | 1/2-13   |
| VSCM-3       | CMSS-3          | 1,200                  | 800    | 7-5/8                             | 4     | 6-3/8        | 5-3/16 | 1-11/16  | 9/16     | 7/16 | 5/8-11   |
| VSCM-4       | CMSS-4          | 2,100                  | 1,500  | 7-5/8                             | 4     | 6-3/8        | 5-3/16 | 1-11/16  | 9/16     | 7/16 | 5/8-11   |
| VSCM-5       | -               | 3,000                  | 2,000  | 7-1/2                             | 5-1/4 | 6-1/4        | 7-3/16 | 2-5/8    | 9/16     | 7/8  | 3/4-10   |
| VSCM-6       | -               | 6,000                  | 4,500  | 7-1/2                             | 5-1/4 | 6-1/4        | 7-3/16 | 2-5/8    | 9/16     | 7/8  | 3/4-10   |
| VSCM-7       | CMSS-7          | 10,000                 | 7,000  | 8-5/8                             | 6     | 6-7/8        | 8-5/8  | 4-1/8    | 3/4      | 1    | 1-12     |
| VSCM-8       | CMSS-8          | 15,000                 | 10,000 | 8-5/8                             | 6     | 6-7/8        | 8-5/8  | 4-1/8    | 3/4      | 1    | 1-12     |

VSCM-40/60/1/2/3/4  
CMSS-40/60/1/2/3/4



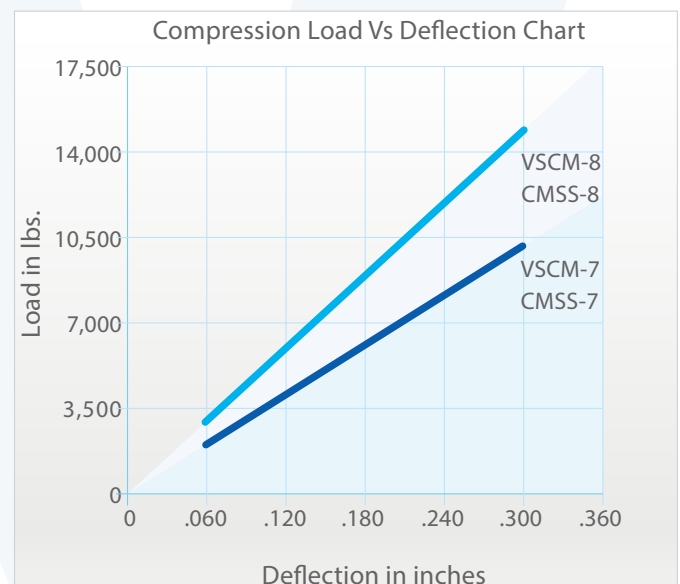
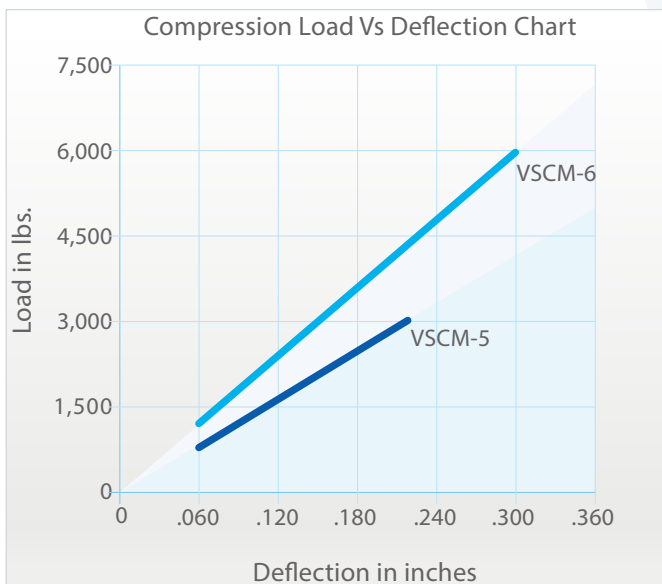
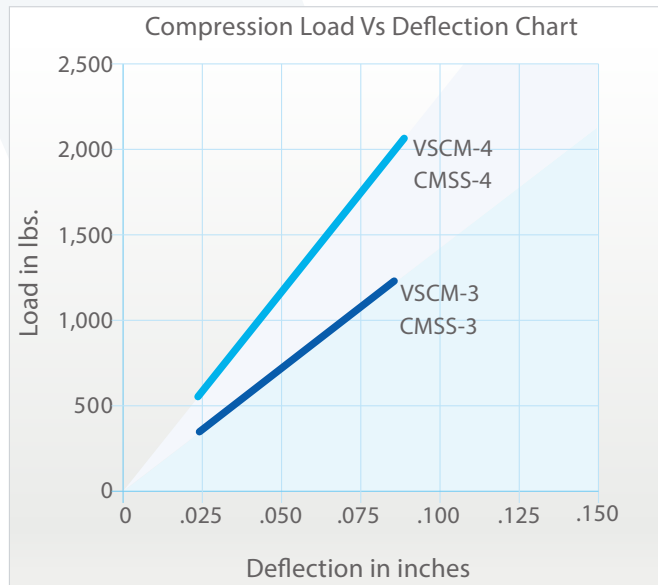
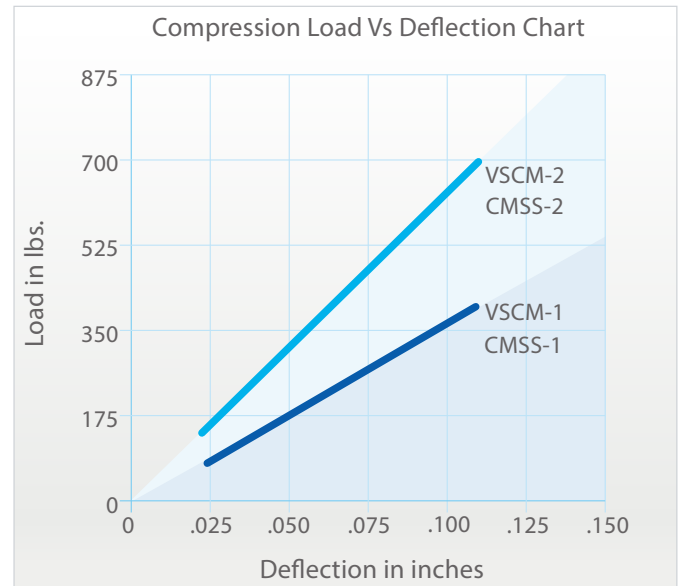
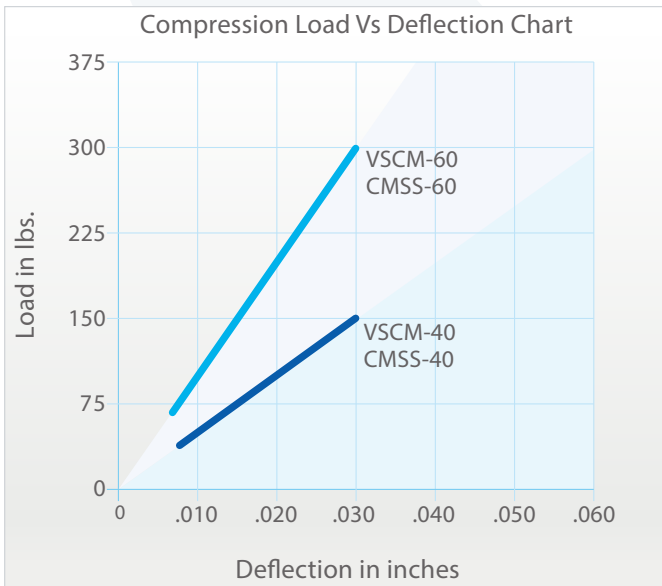
VSCM-5/6/7/8  
CMSS-7/8



### Notes:

- 1) Models VSCM are made of mild steel and finishing with bright zinc plating.
- 2) Models CMSS are made of stainless steel.
- 3) **Shear load should not exceed 30% of compression load.**
- 4) The compression shear mounts allow mild vertical tensile forces.
- 5) Optional materials: For marine, offshore, corrosive environments and other environmental conditions, mounts are made of 316L stainless steel and EPDM rubber compound. For food, pharmaceutical and hygiene critical applications, mounts are made of 304 stainless steel and food grade rubber compounds. Contact Vibrasystems technical department for optimal material selection.

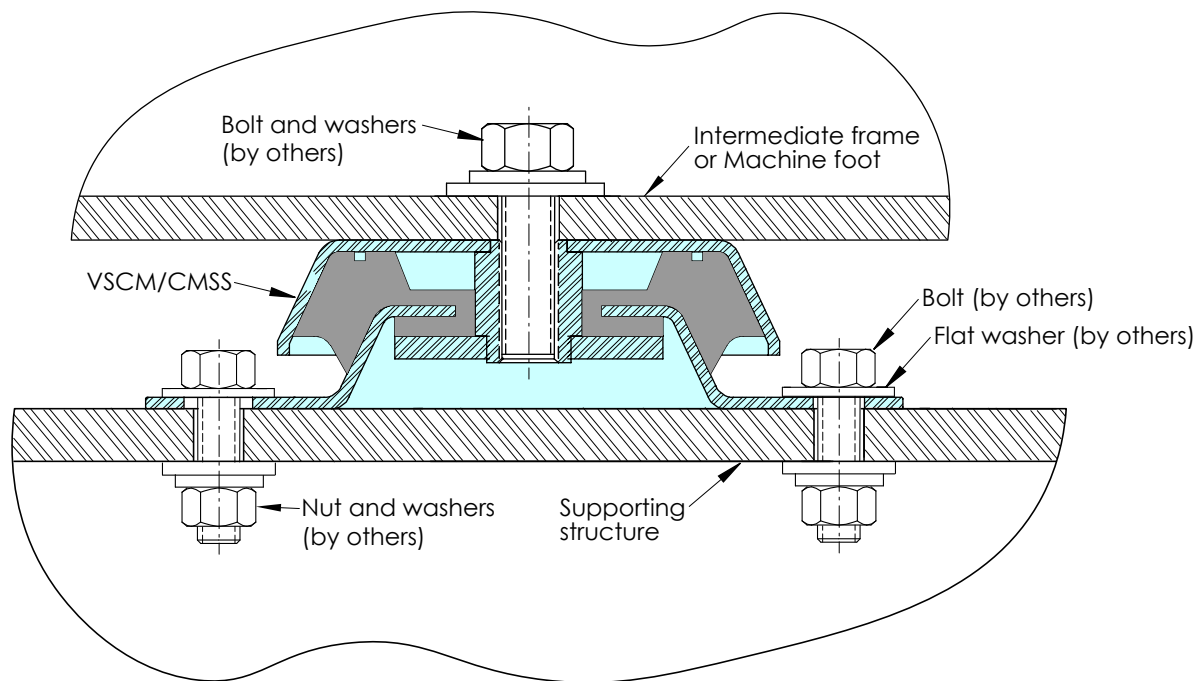
## COMPRESSION SHEAR MOUNTS



## COMPRESSION SHEAR MOUNTS

### Recommendations for Installation:

- 1) VSCM/CMSS mounts must be installed between two parallel and perfectly flat surfaces.
- 2) Do **not** use the VSCM/CMSS mounts operating tilted or twisted.
- 3) Do **not** use the VSCM/CMSS mounts in tensile direction.
- 4) For use of the VSCM/CMSS mounts in the shearing direction, the maximum recommended vertical load should be no more than 30% of the compression load.



Typical installation in compression