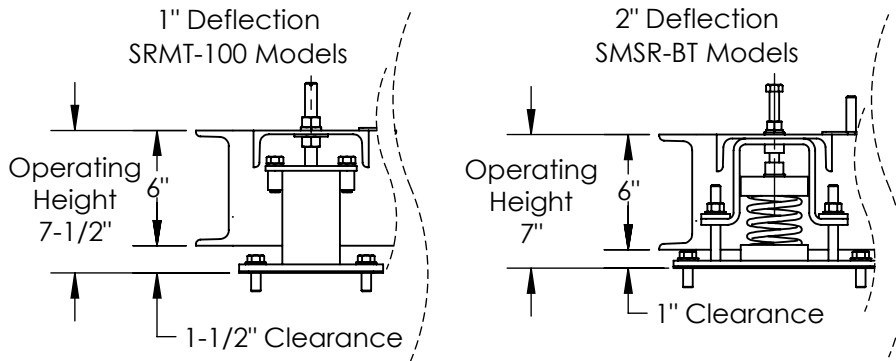


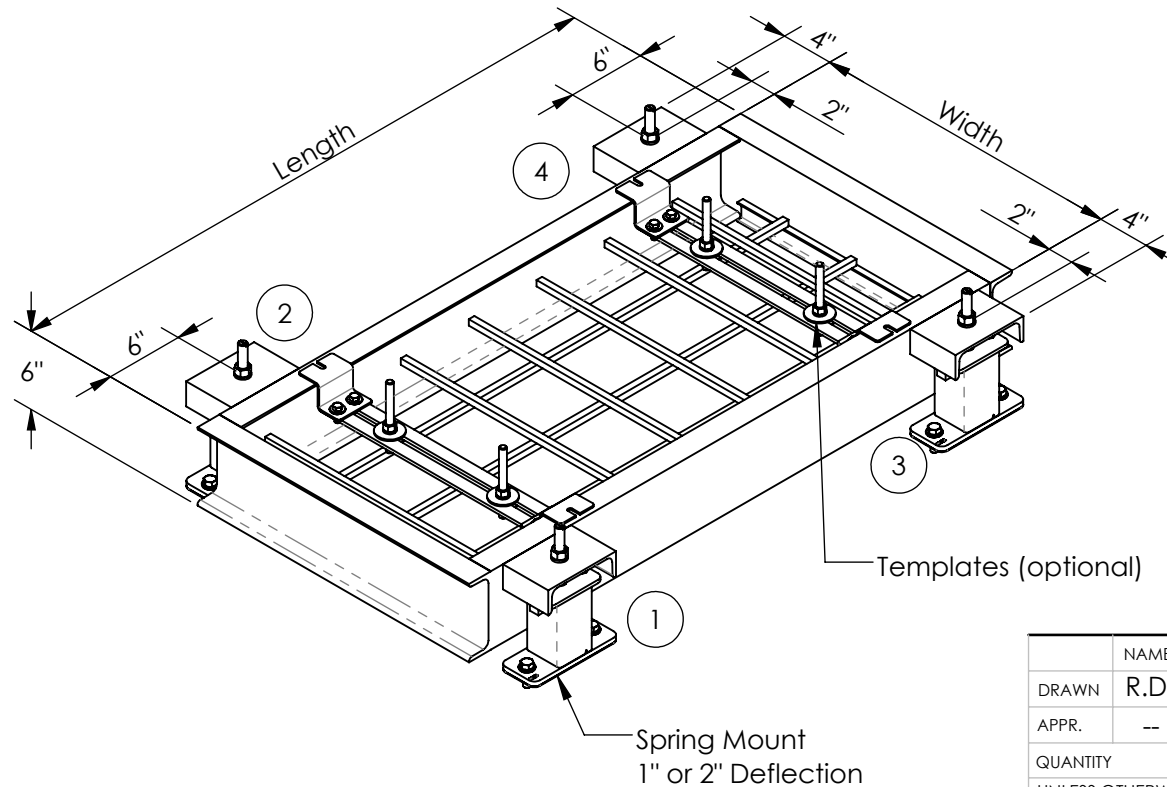
Types of Spring Mounts:



Model	Dimensions (in)		Approximate Weight (lbs)			Qty.
	Width	Length	Frame	Concrete	Frame + Concrete	
WIB6 24X48	24	48	135	550	685	
WIB6 24X60	24	60	155	700	855	
WIB6 30X60	30	60	170	880	1050	
WIB6 36X60	36	60	190	1050	1240	
WIB6 36X72	36	72	215	1280	1495	
WIB6 48X60	48	60	220	1400	1620	
WIB6 48X72	48	72	250	1700	1950	

Model	Templates with Anchor Bolts			Qty.
	WIB6' Width (in)	Thread (in)	Protrusion (in)	
TP 24	24			
TP 30	30			
TP 36	36			
TP 48	48			

Load Distribution		
Location	Load (lbs)	Isolator
1		
2		
3		
4		



Notes:

1. Templates with anchor bolts are optional. Please specify required anchor bolt thread and potrusion lenght prior to placing an order.
2. Spring Mounts are supplied with the Inertia Base.
3. Finishing: Rust proof Coating.

NAME	DATE
DRAWN R.D.	2022-09-29
APPR. --	--
QUANTITY	01
UNLESS OTHERWISE SPECIFIED:	
3RD ANGLE PROJECTION	
DIMENSIONS ARE IN INCHES	
TOLERANCES:	
ANGULAR ± 1°	
FRACTIONAL ± .025	
TWO PLACE DECIMAL ± .010	
THREE PLACE DECIMAL ± .006	
MODEL:	

WIB6

VibraSystems Inc

www.vibrasystems.com

PART:

WIB6 - Welded Inertia Base Submittal Drawing

SIZE	DWG. NO.	REV
A	85-10-00-C	C

SCALE: 1:12 DO NOT SCALE DRAWING SHEET 1 OF 1