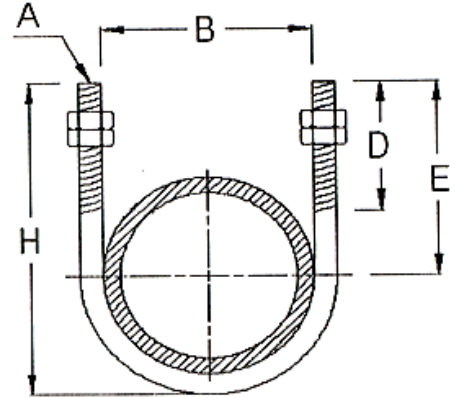


UB Series PIPE SUPPORTS (U-Bolt)



UB model **U-bolt** is used to support the guide or anchor of the insulated or non-insulated pipe. Rrefer protecting shield catalogues for the sizing information for insulated pipes.



MATERIALS

Item	Description
U bolt + nuts	Low carbon steel

Model	Pipe Size (inches)	Part Dimensions (inches)					Max Load (lbs)
		A	B	D	E	H	
UB-05-P/G	1/2	1/4	15/16	2 3/8	2 3/4	3 7/16	435
UB-07-P/G	3/4	1/4	1 1/8	2 3/8	2 3/4	3 9/16	435
UB-10-P/G	1	1/4	1 3/8	2 3/8	2 3/4	3 11/16	435
UB-12-P/G	1 1/4	3/8	1 11/16	2 3/8	2 7/8	4 1/8	1090
UB-15-P/G	1 1/2	3/8	2	2 1/2	3	4 3/8	1090
UB-20-P/G	2	3/8	2 7/16	2 5/8	3 1/4	4 7/8	1090
UB-25-P/G	2 1/2	1/2	2 15/16	3	3 3/4	5 3/4	2020
UB-30-P/G	3	1/2	3 9/16	3	4	6 1/4	2020
UB-35-P/G	3 1/2	1/2	4 1/16	3	4 1/4	6 13/16	2020
UB-40-P/G	4	1/2	4 9/16	3	4 1/2	7 1/4	2020
UB-50-P/G	5	1/2	5 5/8	3	5	8 5/16	2020
UB-60-P/G	6	5/8	6 3/4	3 3/4	6 1/8	10 1/16	3230
UB-80-P/G	8	5/8	8 3/4	3 3/4	7 1/8	12 1/8	3230
UB-100-P/G	10	3/4	10 7/8	4	8 3/8	14 9/16	4830
UB-120-P/G	12	7/8	12 7/8	4 1/4	9 5/8	16 15/16	6730
UB-140-P/G	14	7/8	14 1/8	4 1/4	10 1/4	18 13/16	6730
UB-160-P/G	16	7/8	16 1/8	4 3/4	11 1/4	22 3/16	6730
UB-180-P/G	18	1	18 1/8	4 3/4	12 5/8	22 11/16	8850
UB-200-P/G	20	1	20 1/8	4 3/4	13 5/8	24 11/16	8850
UB-240-P/G	24	1	24 1/8	4 3/4	15 5/8	28 11/16	8850
UB-300-P/G	30	1	30 1/8	4 3/4	18 5/8	34 11/16	8850