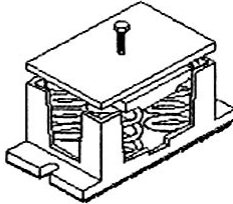




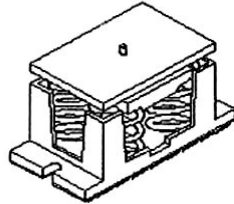
## Type "A-4-140" Series SPRING MOUNTS 2" Deflection

Type "A" series mounts with two inch deflection provides a solution to critical vibration problems. These mounts are preferred over the one inch deflection mounts and most rubber mounts due to higher static deflection. These mounts are normally recommended for building structures where negligible vibration transmission to the building is required. "A" type spring mounts with two inch deflection are designed for noise and vibration free application in critical areas on concrete or wooded floors.

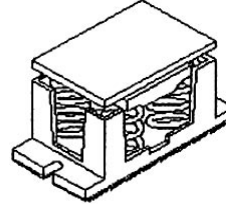
Model 'AA-4'  
External Adjustment



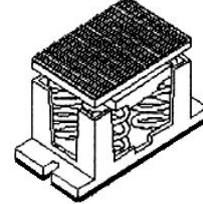
Model 'AB-4'  
Internal Adjustment - pin top



Model 'AC-4'  
Internal Adjustment - flat top

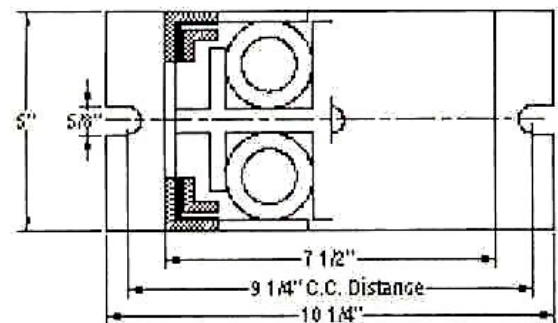
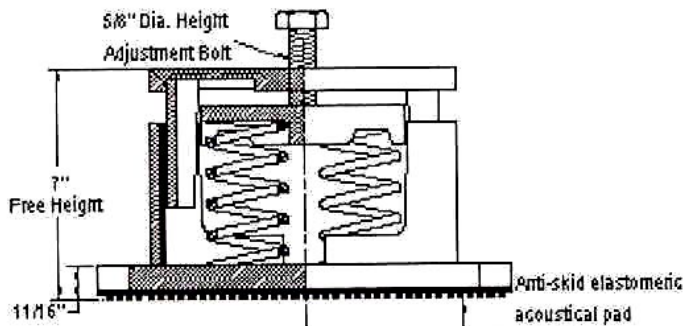


Model 'AD-4'  
Internal Adjustment - neoprene top



### FEATURES:

Two or Three piece cast iron housing to house the spring. Mounts are provided with slotted mounting holes on base for bolting to floor with non skid elastomeric acoustic pad. Resilient elastomeric rubbers on inner housing to prevent metal to metal contact and allow spring to function properly. These Mounts have a built in leveling device (external or internal). Spring elements are galvanized for long life without any rusting problems and are color coded for easy field identification. Springs have 50% additional travel to solid beyond rated load as per the **ASHRAE** recommendations. These spring mounts can also be supplied with flat top or non skid neoprene top load surface in case of internal level adjustment



**APPLICATION:**

For all air conditioning equipments, compressors, air handling units, centrifugal fans, pumps, chillers and other similar application.

**NOTE:**

- 1) Adjust mounting so that upper housing clears lower housing by at least 1/4" but not more than 1/2".
- 2) Isolators should be selected in the range of -30% to +25% of rated load.

MODEL	DIMENSION IN INCHES						
	E	F	G	H	I	J	K
<b>AA-4</b> (EXTERNAL ADJUSTMENT)	10 1/4	9 1/4	7 1/2	5	5/8	7	11/16
<b>AB-4</b> (INTERNAL ADJUSTMENT - PIN TOP)	10 1/4	9 1/4	7 1/2	5	5/8	7 1/2	11/16
<b>AC-4</b> (INTERNAL ADJUSTMENT - FLAT TOP)	10 1/4	9 1/4	7 1/2	5	5/8	7 1/2	11/16
<b>AD-4</b> (INTERNAL ADJUSTMENT - NEOPRENE TOP)	10 1/4	9 1/4	7 1/2	5	5/8	7 3/4	11/16

**X = (Model Types A,B,C,or D see above)**

ISOLATOR MODEL	RATED LOAD (LBS)	SOLID LOAD (LBS.)	DEFLECTION AT SOLID LOAD (INCH)	COLOR	
				MAIN	STRIPE
Ax-4-140	264	400	2.25	Silver	Blue
Ax-4-141	532	800	2.25	Silver	Black
Ax-4-142	1000	1500	2.0	Silver	Red
Ax-4-143	1332	2000	2.0	Silver	Green
Ax-4-144	1904	2856	2.0	Silver	Gray
Ax-4-147	3812	5720	2.0	Silver	White
Ax-4-148A	5044	7568	2.0	Silver	Yellow
Ax-4-140-146B	1840	2760	2.0	Silver/Silver	Blue/White
Ax-4-141-146B	2072	3112	2.0	Silver/Silver	Black/White
Ax-4-142-146B	2600	3904	2.0	Silver/Silver	Red/White
Ax-4-143-146B	2932	4400	2.0	Silver/Silver	Green/White
Ax-4-144-146B	3504	5256	2.0	Silver/Silver	Gray/White
Ax-4-147-146B	5412	8120	2.0	Silver/Silver	White/White
Ax-4-148A-146B	6644	9968	2.0	Silver/Silver	Yellow/White