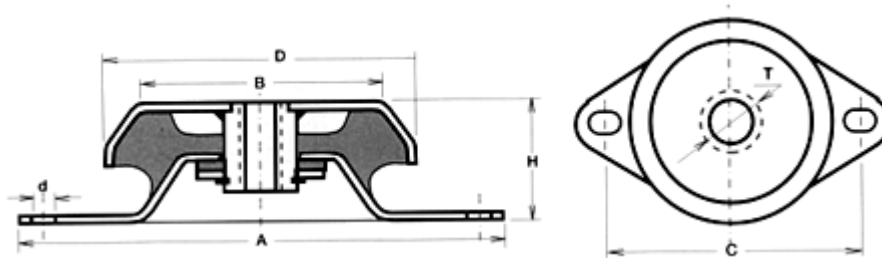




## CMSS Series STAINLESS STEEL CUP MOUNTS

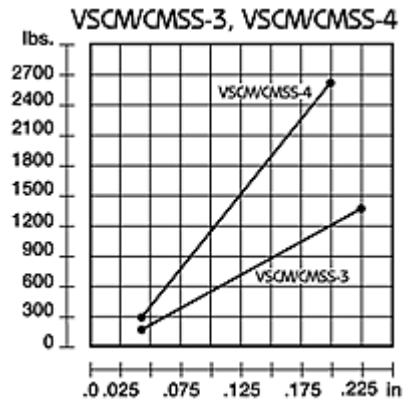
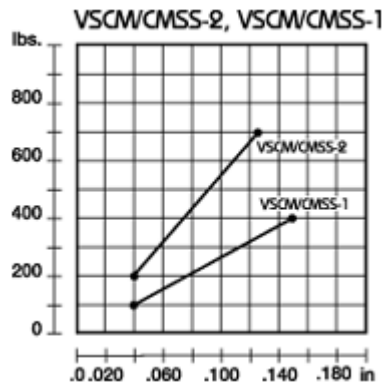
VibraSystems type **CMSS** and **VSCM** Industrial Cup mounts provide excellent protection against vibration and noise. Fail-safe, rugged interlocking metal and neoprene construction provides exceptional performance against shear and compressive forces. High-grade neoprene elastomer provides resistance to oil and chemicals encountered in industrial applications and can be easily replaced. The **CMSS** are made from type 304 stainless steel, good for use in harsh or clean working environments. Typical cup mount applications includes fans, machinery, centrifuges, numerical control equipment, blowers, railroad equipment, converters, transformers, vehicular electronics, mobile applications, combustion engines, motors, control panels, marine and industrial generator sets, pumps and generators. Also very suitable for a wide assortment of workshop machinery including presses. The **VSCM** are made from zinc plated steel.

- High vibration dampening characteristics.
- Replaceable neoprene inserts.
- Combines vertical flexibility with horizontal stability
- Shock proof device fitted as standard with resilient stop
- Low profile, compact design.
- Construction materials provide excellent corrosion protection.
- Top plate is dome shaped to guard against oil contamination.
- Each side flange has through holes allowing for effective attachment to supporting structure.



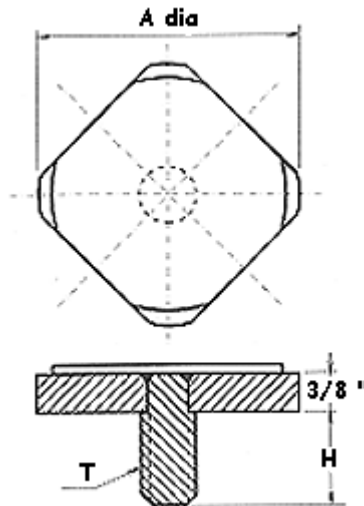
Type	Maximum Load (lbs)		Mount Dimensions (ins)						
	Non-Impact Machinery	Impact Machinery	A	B	C	D	H	d	T
CMSS-1	400	250	6	2-3/4	5	3-5/8	1-3/8	0.390	1/2-13
CMSS-2	700	450	6	2-3/4	5	3-5/8	1-3/8	0.390	1/2-13
CMSS-3	1400	900	7-11/16	4	6-3/8	5-3/16	1-11/16	0.550	5/8-11
CMSS-4	2600	1700	7-11/16	4	6-3/8	5-3/16	1-11/16	0.550	5/8-11

## LOAD VS DEFLECTION:



## TYPE LP-LEVELING PLATES:

VibraSystems **LP** leveling Plates could be used with **CSS** mounts for applications on equipment without fastening holes or in order to allow equipment leveling in hard to reach places.



TYPE	A	H	T
LP-1	2-1/2	7/8	1/2 NC
LP-2	3-1/2	1.00	5/8 NC