

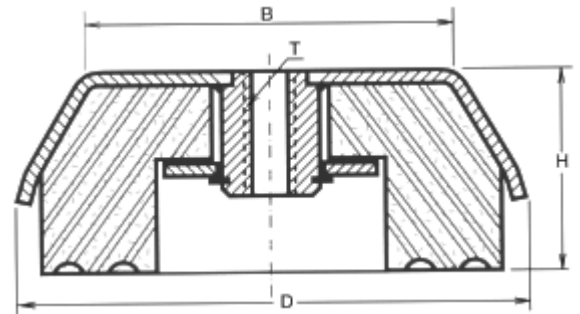


## CSS Series STAINLESS STEEL CUPMOUNTS

VibraSystems type CSS free-standing Cup mounts are designed for the effective isolation from vibration, shock and noise of machines that do not require precise leveling to be a feature of their mounting system. Available in either zinc plated cold-rolled steel CRC (or type 304 stainless steel CSS) to meet the environmental standards required. Also available are base and cover attachments (LP-BP)

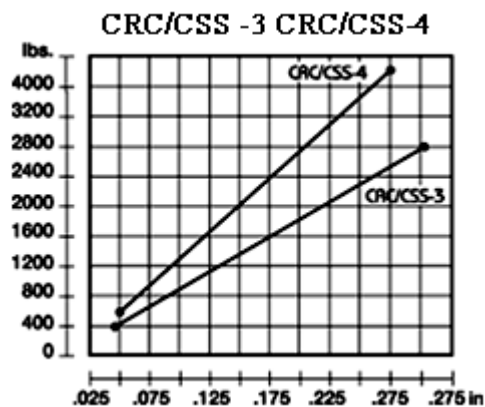
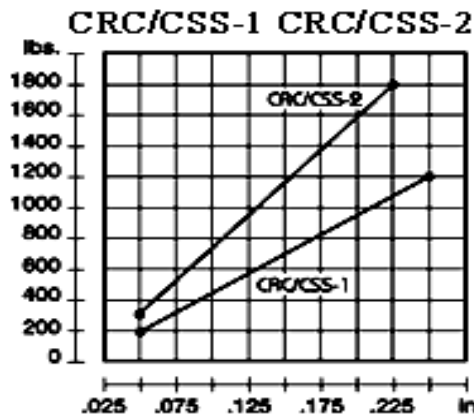
### SPECIFIC FEATURES:

- Concentric rings in the base of the insert firmly anchor the machine to the floor, preventing creeping or walking
- Isolates vertical and horizontal forces
- Controls vibration, shock and noise
- Resistant to oil and cleaning compounds
- Meets OSHA requirements for anchoring machinery
- Save on installation costs, no cementing required
- Economical and can be reused when relocating or on other machines
- Strong, reliable construction provides long life
- Increases machine accuracy and extends life of machinery and tools



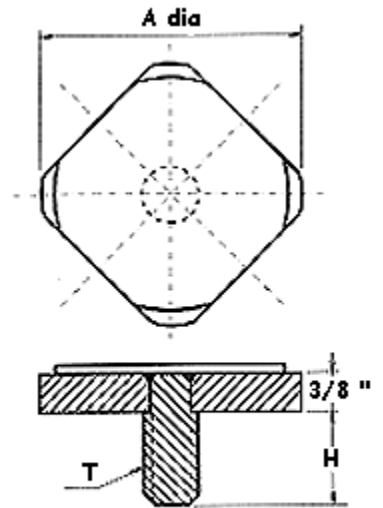
Type	Maximum Load (lbs)		Mount Dimensions (ins)			
	Non-Impact Machinery	Impact Machinery	B	D	H	T
CSS-1	1200	800	2-3/4	3-5/8	1-3/8	1/2-13
CSS-2	1800	1200	2-3/4	3-5/8	1-3/8	1/2-13
CSS-3	2800	1800	4	5-3/16	1-11/16	5/8-11
CSS-4	4200	2800	4	5-3/16	1-11/16	5/8-11

### LOAD VS DEFLECTION:



**TYPE LP - LEVELING PLATE:**

VibraSystems **LP** leveling Plates could be used with **CSS** mounts for applications on equipment without fastening holes or in order to allow equipment leveling in hard to reach places.



TYPE	A	H	t
LP-1	2-1/2	7/8	1/2 NC
LP-2	3-1/2	1.00	5/8 NC

**TYPE BP - BASE PLATE:**

**BP** Base Plates are special attachments to be used with **CSS** mounts in order to prevent machine from walking, without bolting it to the floor.

Dim	A	B	C dia.	D dia.	E	F	T	H
BP-1	4	4	7/16	1-1/2	3/8	3/8	.125	.250
BP-2	5-1/2	5-1/2	7/16	2	3/8	3/8	.125	.375

