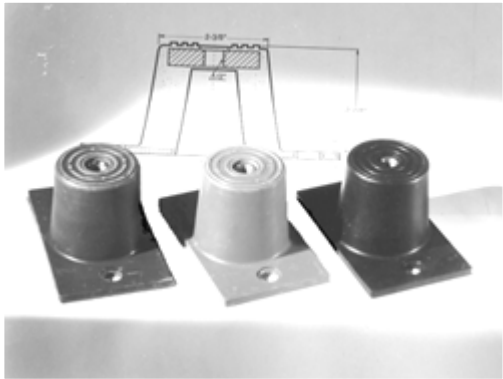




EDM Series COMPRESSION SHEAR MOUNTS

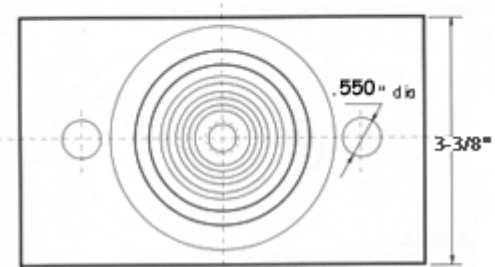
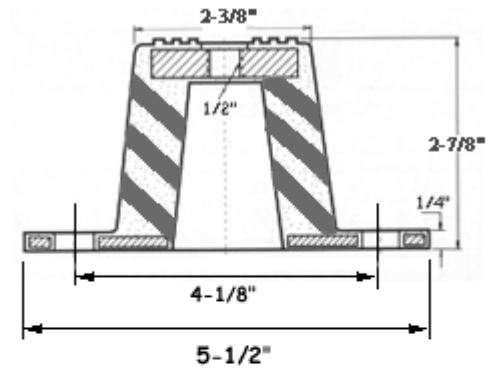
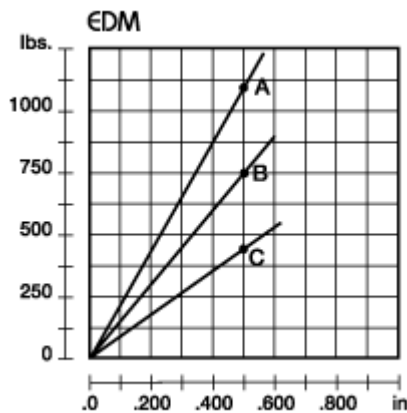


Extreme deflection mounts are designed for applications where high deflection is required in order to effectively reduce the magnitude of low frequency steady state vibrations, for reduction of sound amplification to a minimum and for providing soft impact landing. Made from neoprene and completely enclosed metal parts, this mount is one of the most durable and corrosion resistant available today. Uses include vibratory screens, packaging machinery, weighing scales, test cell equipment, elevators, noise control units, etc...

FEATURES:

- Isolates vertical and horizontal forces
- Controls vibration, shock and noise
- Resistant to oil and cleaning compounds
- Meets OSHA requirements for anchoring machinery
- Economical and can be reused when relocating or on other machines
- Strong, reliable construction provides long life

LOAD VS DEFLECTION:



Product Code	Max. Load (lbs)
EDM-A	1100
EDM-B	750
EDM-C	450