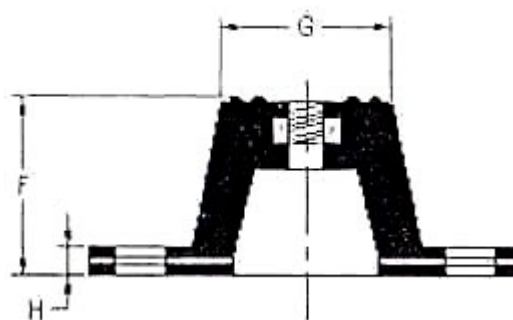
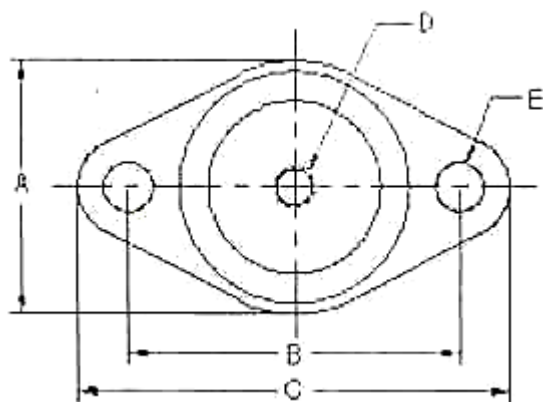
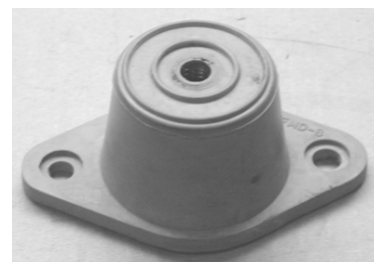




**FMD Series**  
**RUBBER IN SHEAR MOUNT**  
**(Double Deflection)**

**FMD** series double deflection neoprene mounts incorporate top and bottom steel plates to ensure uniform loading. All mounts have non-skid ribs on the bottom surface. Series features various sizes/durometer with color-coded identification for different load/deflection combinations. Mounting holes furnished as standard.



ISOLATOR MODEL	MAX. LOAD (LBS)	DEFLECTION (inches)	ISOLATOR DIMENSIONS (inches)								COLOR
			A	B	C	D	E	F	G	H	
FMD-A-1	30	1/2	1 3/4	2 3/8	3 1/8	1/4	11/32	1 1/4	1 3/8	1/4	BLUE
FMD-A-2	40	1/2	1 3/4	2 3/8	3 1/8	1/4	11/32	1 1/4	1 3/8	1/4	RED
FMD-A-3	70	1/2	1 3/4	2 3/8	3 1/8	1/4	11/32	1 1/4	1 3/8	1/4	GREEN
FMD-A-4	115	1/2	1 3/4	2 3/8	3 1/8	1/4	11/32	1 1/4	1 3/8	1/4	BLACK
FMD-B-1	130	1/2	2 3/8	3	3 7/8	3/8	11/32	1 3/4	1 3/4	1 7/32	BLUE
FMD-B-2	165	1/2	2 3/8	3	3 7/8	3/8	11/32	1 3/4	1 3/4	1 7/32	RED
FMD-B-3	235	1/2	2 3/8	3	3 7/8	3/8	11/32	1 3/4	1 3/4	1 7/32	GREEN
FMD-B-4	375	1/2	2 3/8	3	3 7/8	3/8	11/32	1 3/4	1 3/4	1 7/32	BLACK
FMD-E-1	200	1/2	2 3/8	3 1/8	4	3/8	1/2	2	1 3/4	1/4	BLUE
FMD-E-2	300	1/2	2 3/8	3 1/8	4	3/8	1/2	2	1 3/4	1/4	RED
FMD-E-3	400	1/2	2 3/8	3 1/8	4	3/8	1/2	2	1 3/4	1/4	GREEN
FMD-E-4	500	1/2	2 3/8	3 1/8	4	3/8	1/2	2	1 3/4	1/4	BLACK
FMD-F-1	750	1/2	3 5/8	4 3/4	5 7/8	1/2	9/16	3 1/2	2 3/4	3/8	BLUE
FMD-F-2	1000	1/2	3 5/8	4 3/4	5 7/8	1/2	9/16	3 1/2	2 3/4	3/8	RED
FMD-F-3	1500	1/2	3 5/8	4 3/4	5 7/8	1/2	9/16	3 1/2	2 3/4	3/8	GREEN
FMD-F-4	2200	1/2	3 5/8	4 3/4	5 7/8	1/2	9/16	3 1/2	2 3/4	3/8	BLACK