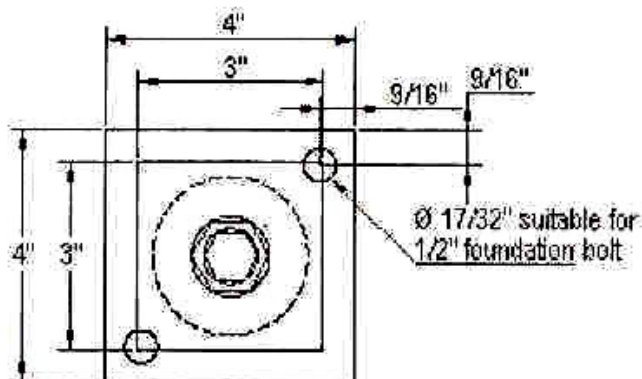


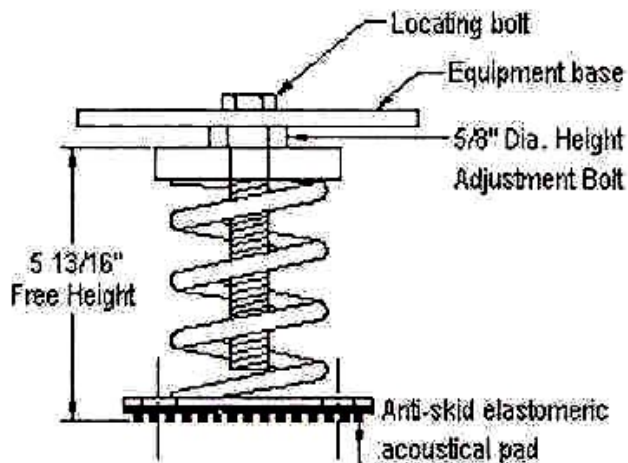


## OSM-1-140 Series SPRING MOUNTS 2" Deflection



**OSM** Series spring mounts are unoused, laterally stable steel springs welded to the top and bottom steel plates. The upper load plate includes a leveling bolt assembly. The lower steel plate features a neoprene acoustical friction pad. Mounting holes are provided on all mounts. These spring mounts have a built leveling device. The Springs are galvanized for long operation life without any rusting problems and are color coded for easy field identification. Springs have a 50% additional travel to solid load as per **ASHRAE** recommendations.

These spring mounts are recommended where both horizontal and vertical stability are required. In general these series spring mounts are used for vibration & noise control applications such as pumps, centrifugal fans, air handling units, air compressors and for similar applications.



ISOLATOR MODEL	RATED LOAD (LBS)	SOLID LOAD (LBS)	DEFLECTION AT SOLID LOAD (INCH)	COLOR	
				MAIN	STRIPE
OSM-1-140	66	100	2.25	SILVER	BLUE
OSM-1-141	133	200	2.25	SILVER	BLACK
OSM-1-142	250	375	2.0	SILVER	RED
OSM-1-143	333	500	2.0	SILVER	GREEN
OSM-1-144	476	714	2.0	SILVER	GRAY
OSM-1-147	953	1430	2.0	SILVER	WHITE
OSM-1-148A	1261	1892	2.0	SILVER	YELLOW
OSM-1-140-146B	460	690	2.0	SILVER	BLUE
OSM-1-141-146B	518	778	2.0	SILVER	BLACK
OSM-1-142-146B	650	976	2.0	SILVER	RED
OSM-1-143-146B	733	1100	2.0	SILVER	GREEN
OSM-1-144-146B	876	1314	2.0	SILVER	GRAY
OSM-1-147-146B	1353	2030	2.0	SILVER	WHITE
OSM-1-148A-146B	1661	2492	2.0	SILVER	YELLOW