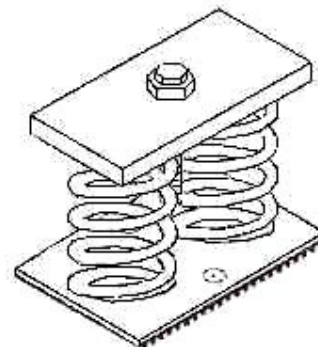


OSM-2-150 Series SPRING MOUNTS 1" Deflection

OSM Series spring mounts are unhused, laterally stable steel springs welded to the top and bottom steel plates. The upper load plate includes a leveling bolt assembly. The lower steel plate features a neoprene acoustical friction pad. Mounting holes are provided on all mounts. These spring mounts have a built leveling device. The Springs are galvanized for long operation life without any rusting problems and are color coded for easy field identification. Springs have a 50% additional travel to solid load as per **ASHRAE** recommendations. These spring mounts are recommended where both horizontal and vertical stability are required. In general these series spring mounts are used for vibration & noise control applications such as pumps, centrifugal fans, air handling units, air compressors and for similar applications.



ISOLATOR MODEL	RATED LOAD (LBS)	SOLID LOAD (LBS)	DEFLECTION AT SOLID LOAD (INCH)	COLOR	
				MAIN	STRIPE
OSM-2-150	166	250	1.3	SILVER	BROWN
OSM-2-151	300	450	1.3	SILVER	ORANGE
OSM-2-152	432	650	1.2	SILVER	GREEN
OSM-2-153	600	900	1.2	SILVER	RED
OSM-2-154	800	1200	1.2	SILVER	BLACK
OSM-2-155	1000	1500	1.1	SILVER	WHITE
OSM-2-156	1200	1800	1.0	SILVER	GRAY
OSM-2-157	1466	2200	0.9	SILVER	BLUE
OSM-2-158	2400	3600	1.0	SILVER	GOLD
OSM-2-159	3332	5000	1.0	SILVER	NIL
OSM-2-150-161	962	1444	1.0	SILVER	BROWN
OSM-2-151-161	1064	1598	1.0	SILVER	ORANGE
OSM-2-152-161	1194	1792	1.0	SILVER	GREEN
OSM-2-153-161	1332	2000	1.0	SILVER	RED
OSM-2-154-161	1500	2250	1.0	SILVER	BLACK
OSM-2-155-161	1742	2614	1.0	SILVER	WHITE
OSM-2-156-161	2032	3050	1.0	SILVER	GRAY
OSM-2-157-161	2216	3326	0.9	SILVER	BLUE
OSM-2-158-161	3232	4850	1.0	SILVER	GOLD
OSM-2-159-161	4166	6250	1.0	SILVER	NIL