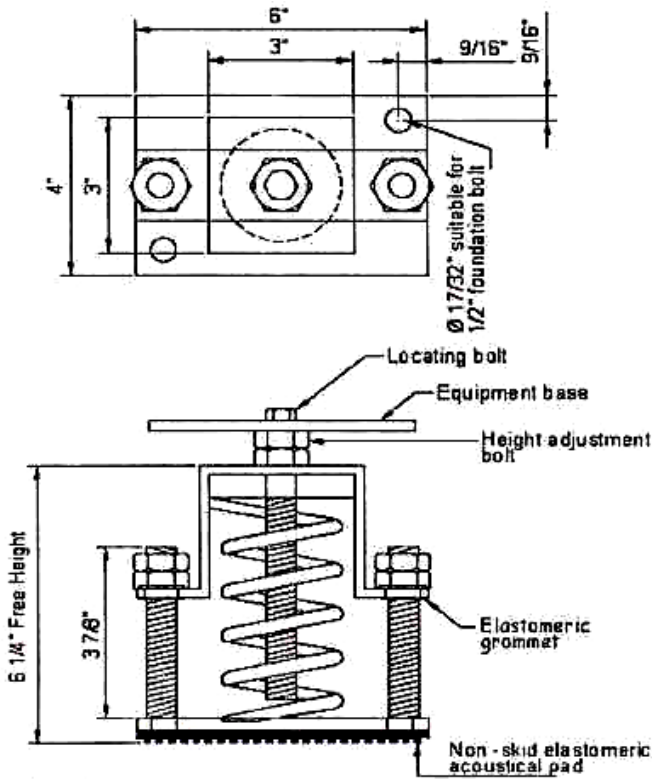
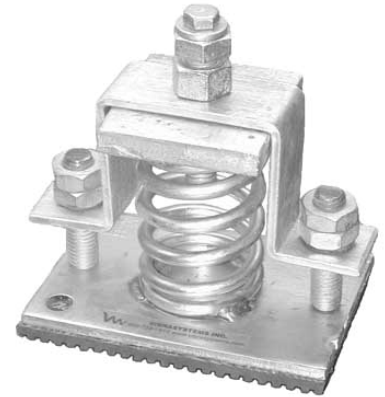


RSM-1-140 Series SPRING MOUNTS 2" Deflection



RSM series are similar to **OSM** series spring mounts except it has restricted to assembly which limits vertical movement due to reduced loads or external forces (wind loads). **RSM** series spring mounts are unboxed laterally stable steel springs welded to top and bottom steel plates. The upper load plate includes a leveling bolt assembly. Lower steel plate features a neoprene acoustical friction pad. Mounting holes are provided on all mounts. These spring mounts are having in built leveling device. Springs are galvanized for long operating life without any rusting problems and are color coded for easy field identification. Springs are having 50% additional travel to solid load as per **ASHRAE** recommendations.



These spring mounts are recommended where both horizontal and vertical stability are required in general these series spring mounts are used for vibration & noise control application of air handling units, cooling towers, chillers, condensing units and boilers etc. These mounts are more suitable & effective when used below equipment with large variations of installed weight and operating weight as well as roof mounted equipments like fans etc.

ISOLATOR MODEL	RATED LOAD (LBS)	SOLID LOAD (LBS)	DEFLECTION AT SOLID LOAD (INCH)	COLOR	
				MAIN	STRIPE
RSM-1-140	66	100	2.25	SILVER	BLUE
RSM-1-141	133	200	2.25	SILVER	BLACK
RSM-1-142	250	375	2.0	SILVER	RED
RSM-1-143	333	500	2.0	SILVER	GREEN
RSM-1-144	476	714	2.0	SILVER	GRAY
RSM-1-147	953	1430	2.0	SILVER	WHITE
RSM-1-148A	1261	1892	2.0	SILVER	YELLOW
RSM-1-140-146B	460	690	2.0	SILVER	BLUE
RSM-1-141-146B	518	778	2.0	SILVER	BLACK
RSM-1-142-146B	650	976	2.0	SILVER	RED
RSM-1-143-146B	733	1100	2.0	SILVER	GREEN
RSM-1-144-146B	876	1314	2.0	SILVER	GRAY
RSM-1-147-146B	1353	2030	2.0	SILVER	WHITE
	1661	2492	2.0	SILVER	YELLOW