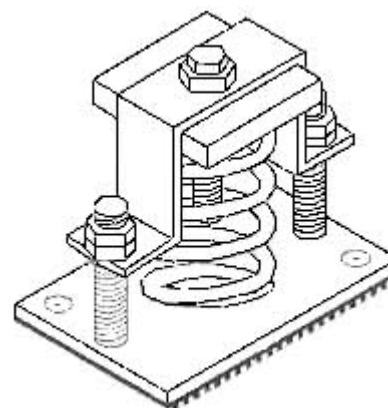


N.T.S.

RSM-1-150 Series SPRING MOUNTS 1" Deflection

RSM series are similar to OSM series spring mounts except it has restricted to assembly which limits vertical movement due to reduced loads or external forces (wind loads). RSM series spring mounts are unhoused literally stable steel springs welded to top and bottom steel plates. The upper load plate includes a leveling bolt assembly. Lower steel plate features a neoprene acoustical friction pad. Mounting holes are provided on all mounts.



These spring mounts are having in built leveling device. Springs are galvanized for long operating life without any rusting problems and are color coded for easy field identification. Springs are having 50%

additional travel to solid load as per ashrae recommendations.

These spring mounts are recommended where both horizontal and vertical stability are required in general these series spring mounts are used for vibration & noise control application of air handling units, cooling towers, chillers, condensing units and boilers etc. These mounts are more suitable & effective when used below equipment with large variations of installed weight and operating weight as well as roof mounted equipments like fans etc.

ISOLATOR MODEL	RATED LOAD (LBS)	SOLID LOAD (LBS)	DEFLECTION AT SOLID LOAD (INCH)	COLOR	
				MAIN	STRIPE
RSM-1-150	83	125	1.3	SILVER	BROWN
RSM-1-151	150	225	1.3	SILVER	ORANGE
RSM-1-152	216	325	1.2	SILVER	GREEN
RSM-1-153	300	450	1.2	SILVER	RED
RSM-1-154	400	600	1.2	SILVER	BLACK
RSM-1-155	500	750	1.1	SILVER	WHITE
RSM-1-156	600	900	1.0	SILVER	GRAY
RSM-1-157	733	1100	0.9	SILVER	BLUE
RSM-1-158	1200	1800	1.0	SILVER	GOLD
RSM-1-159	1666	2500	1.0	SILVER	NIL
RSM-1-150-161	481	722	1.0	SILVER	BROWN
RSM-1-151-161	532	799	1.0	SILVER	ORANGE
RSM-1-152-161	597	896	1.0	SILVER	GREEN
RSM-1-153-161	666	1000	1.0	SILVER	RED
RSM-1-154-161	750	1125	1.0	SILVER	BLACK
RSM-1-155-161	871	1307	1.0	SILVER	WHITE
RSM-1-156-161	1016	1525	1.0	SILVER	GRAY
RSM-1-157-161	1108	1663	0.9	SILVER	BLUE
RSM-1-158-161	1616	2425	1.0	SILVER	GOLD
RSM-1-159-161	2083	3125	1.0	SILVER	NIL