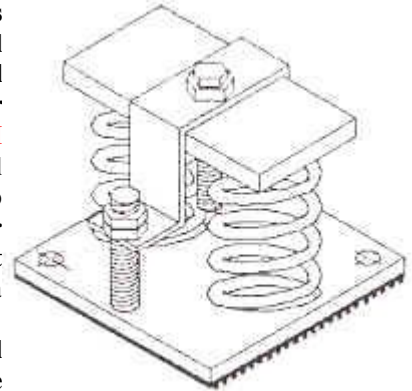
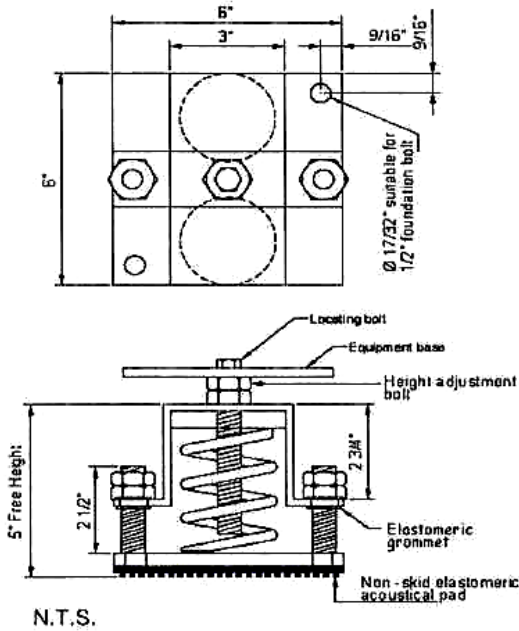




RSM-2-150 Series SPRING MOUNTS 1" Deflection



RSM series are similar to **OSM** series spring mounts except it has restricted to assembly which limits vertical movement due to reduced loads or external forces (wind loads). **RSM** series spring mounts are unboxed laterally stable steel springs welded to top and bottom steel plates. The upper load plate includes a leveling bolt assembly. Lower steel plate features a neoprene acoustical friction pad. Mounting holes are provided on all mounts. These spring mounts are having in built leveling device. Springs are galvanized for long operating life without any rusting problems and are color coded for easy field identification. Springs are having 50% additional travel to solid load as per **ASHRAE** recommendations.

These spring mounts are recommended where both horizontal and vertical stability are required in general these series spring mounts are used for vibration & noise control application of air handling units, cooling towers, chillers, condensing units and boilers etc. These mounts are more suitable & effective when used below equipment with large variations of installed weight and operating weight as well as roof mounted equipments like fans etc.

ISOLATOR MODEL	RATED LOAD (LBS)	SOLID LOAD (LBS)	DEFLECTION AT SOLID LOAD (INCH)	COLOR	
				MAIN	STRIPE
RSM-2-150	166	250	1.3	SILVER	BROWN
RSM-2-151	300	450	1.3	SILVER	ORANGE
RSM-2-152	432	650	1.2	SILVER	GREEN
RSM-2-153	600	900	1.2	SILVER	RED
RSM-2-154	800	1200	1.2	SILVER	BLACK
RSM-2-155	1000	1500	1.1	SILVER	WHITE
RSM-2-156	1200	1800	1.0	SILVER	GRAY
RSM-2-157	1466	2200	0.9	SILVER	BLUE
RSM-2-158	2400	3600	1.0	SILVER	GOLD
RSM-2-159	3332	5000	1.0	SILVER	NIL
RSM-2-150-161	962	1444	1.0	SILVER	BROWN
RSM-2-151-161	1064	1598	1.0	SILVER	ORANGE
RSM-2-152-161	1194	1792	1.0	SILVER	GREEN
RSM-2-153-161	1332	2000	1.0	SILVER	RED
RSM-2-154-161	1500	2250	1.0	SILVER	BLACK
RSM-2-155-161	1742	2614	1.0	SILVER	WHITE
RSM-2-156-161	2032	3050	1.0	SILVER	GRAY
RSM-2-157-161	2216	3326	0.9	SILVER	BLUE
RSM-2-158-161	3232	4850	1.0	SILVER	GOLD
RSM-2-159-161	4166	6250	1.0	SILVER	NIL