

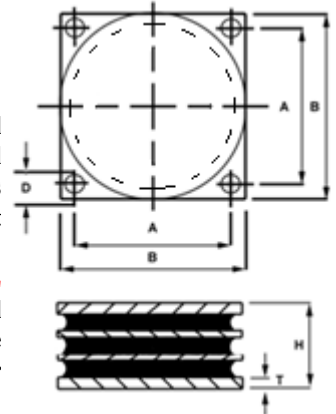


## SML Series COMPRESSION SHEAR MOUNT



VibraSystems type **SML** mounts consist of cylindrical rubber component with steel mounting plates and round intermediate plates securely bonded to it. Mounting is simple with the clearance holes in all corners. The mount can absorb large vertical forces with little deformation. Installation height is low, providing good stability. The **SML**

provides isolation against shear, or horizontal, disturbing forces, while deflection in the vertical direction is low. With these deflection properties, low horizontal interference frequencies can be isolated. Two mounts can be used in series to provide greater deflection and to absorb angular forces.



Product Code	Dimensions (ins)					Maximum Load (lbs)
	A	B	H	d	t	
SML-1	4-5/8	5-7/8	2	5/8	1/4	5000
SML-2	4-5/8	5-7/8	2	5/8	1/4	10000
SML-3	7-1/4	8-3/4	3-1/4	3/4	3/8	13000
SML-4	7-1/4	8-3/4	3-1/4	3/4	3/8	26000

### LOAD VS. DEFLECTION:

