



## VM - VMT Series COMPRESSION SHEAR MOUNT



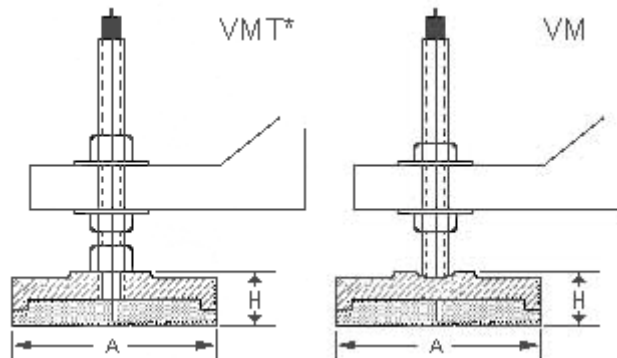
These mounts are ideal for a wide range of applications where simple, precise leveling is required. Diamond cell neoprene pads provide a firm footing and the bolt in recess design can compensate for slight unevenness in the floor. The **VM** pad is made to fit inside the cover, preventing the pad from moving and dispensing with the reliance on adhesives. Load capacities of 200 to 12,000 lbs per mount are covered by the **VM** series mounts.

### BRIDGEPORT ADAPTER PLATES

Fabricated from steel, 12" x 5-1/2" by 1/4" thick with 5/8 NC Thread, **BRIDGEPORT ADAPTER PLATES** are suitable for the installation of hollow body machines such as Bridgeport, Lagun, etc... **Bridgeport adapter plates** are used primarily with **VM-2004** compression type mounts. Sold in sets of four. Mounts are extra.

### SPECIAL FEATURES:

- Fast, simple and precise leveling for all types of machinery
- **VM** is self-aligning, without sacrificing stability
- Controls vibration, shock and noise
- Neoprene provides the necessary resilience for vibration absorption
- Resistant to oil and cleaning compounds
- Save on installation costs, no cementing required
- Meets OSHA requirements for anchoring machinery
- Economical and can be reused when relocating or on other machines



**Mounts with threaded base, type VMT, are available upon request.**  
**All dimensions and load charts are the same as per VM type mounts.**

Type	MAX. LOADS IN LBS.		Level Adjustment	Bolt Size	MOUNT DIMENSIONS	
	Non-Impact Machinery	Impact Machinery			D	H
VM-500	500	350	1.0"	1/2-13 x 6"	4.0" dia.	1"
VM-1000	1,000	700	1.0"	1/2-13 x 6"	4.0" dia.	1"
VM-2004	2,000	1,400	1.0"	5/8-11 x 8"	4.0" dia.	1"
VM-2007	2,000	1,400	1.0"	3/4-16 x 6"	7.0" dia.	1-1/4"
VM-4000	4,000	2,800	1.0"	3/4-16 x 6"	7.0" dia.	1-1/4"
VM-8000	8,000	5,600	1.0"	3/4-16 x 6"	7.0" dia.	1-1/4"
VM-12075	12,000	8,500	1.0"	3/4-16 x 6"	7.0" dia.	1-1/4"
VM-12100	12,000	8,500	1.0"	1-14 x 8"	7.0" dia.	1-1/4"

### LOAD VS DEFLECTION:

