

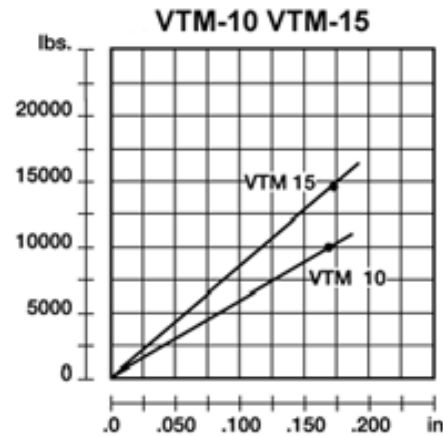
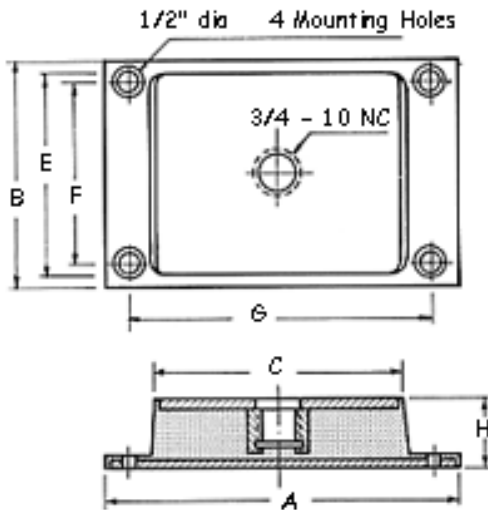
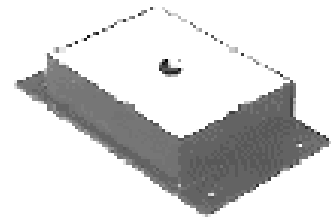


VTM Series COMPRESSION SHEAR MOUNT

VibraSystems type **VTM** compression/shear mount consists of rectangular elastomer component strongly bonded with two steel plates. Ideally suited for presses, blowers, pumps, vibrators, rolling mills, crushers, heavy transformers, injection molding machines and similar equipment. An extended base plate provides for easy fastening to the floor or frame.

FEATURES:

- Low installation height provides good stability
- Effectively isolates against horizontal and vertical vibrations and shock
- High deflection in the horizontal plane while vertical deflection is low
- Meets OSHA requirements for anchoring machinery
- Resistant to oil and grease
- Strong, reliable construction provides long life
- Increases machine accuracy and extends life of machinery and tools



Product Code	Dimensions (ins)							Max Load (lbs)
	A	B	C	E	F	G	H	
VTM-10	12	7-1/8	8-1/2	6-1/2	5	10-3/8	2-1/4	10000
VTM-15	12	7-1/8	8-1/2	6-1/2	5	10-3/8	2-1/4	15000