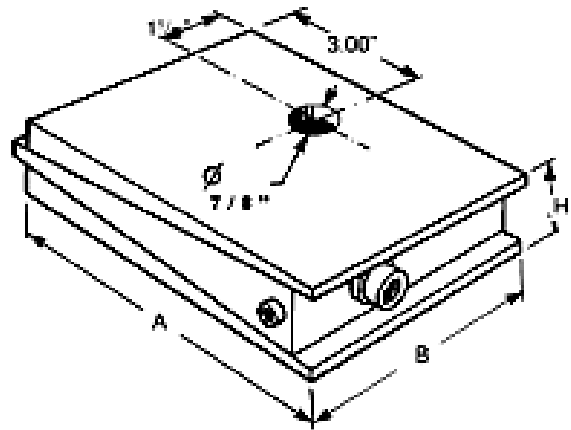




## VWH Series WEDGE MOUNT

**Vibra-Wedge** mounts are designed for the installation and precision leveling of heavy industrial machinery. 3 machined wedges are mounted and held together by a horizontal adjusting bolt. A lock screw secures the mount in the leveled position. Keys in the sliding surfaces of the wedges ensure rigidity within the mount construction. A special opening allows for bolting of the machine to the floor. **Vibra-Wedges** permit accurate precise and easy leveling.



Vibra-Wedge supplied with or without neoprene top and bottom.

**NOTE:** Max. Leveling is 1/4" (6mm.).

\* Vibra-Wedge supplied with Neoprene pads on the top and bottom for vibration, noise and shock isolation.

Product Code	Dimensions (ins)			Max. Load (lbs)
	A	B	H	
VWH-15	6	4	1-7/8 +/- 3/16	15000
VWH-15R *	6	4	2-1/4 +/- 3/16	9000