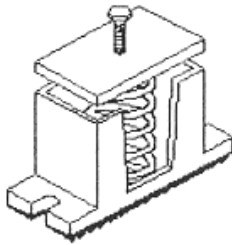




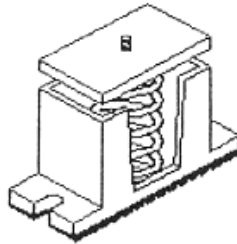
Type "Z" Series SPRING MOUNTS 1" Deflection

Type "Z" series mounts with one inch deflection provide a solution to troublesome vibration problems. These mounts are preferred over most rubber mounts due to the greater static deflection of the spring. "Z" series spring mounts is designed for noise and vibration free application in critical areas on concrete or wooden floors.

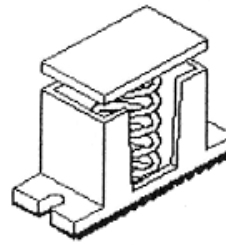
Model 'ZA'
External Adjustment



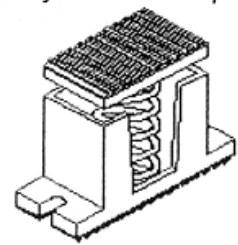
Model 'ZB'
Internal Adjustment - pin top



Model 'ZC'
Internal Adjustment - flat top

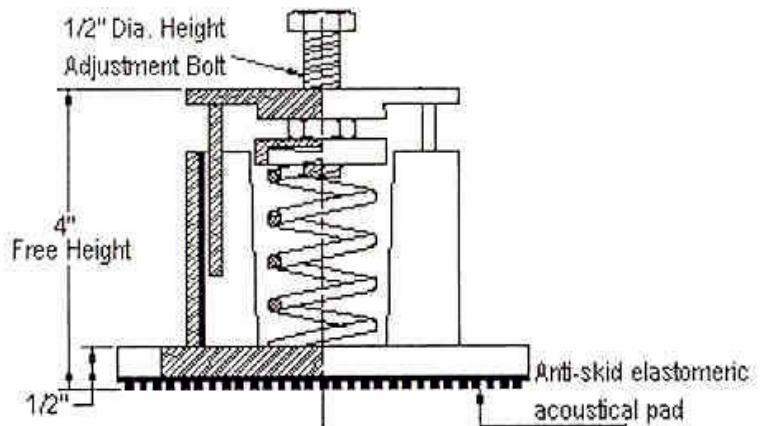
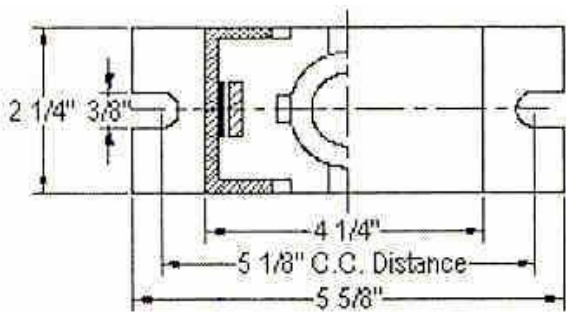


Model 'ZD'
Internal Adjustment - neoprene top



FEATURES:

Two or Three piece cast iron housing to house spring mounts are provided with slotted mounting holes with non skid elastomeric acoustic pad on the base for easy bolting to the floor. Resilient elastomeric snubbers on the inner panels to prevent metal to metal contact and allow spring to function properly. These Mounts have a built in leveling device (external or internal). Spring elements are galvanized for long life without rusting and are color coded for easy field identification. Springs have 50% additional travel to solid beyond rated load as per the **ASHRAE** recommendations. These spring mounts can also be supplied with flat or non skid neoprene top surface in case of internal level adjustment.



APPLICATION:

For all air conditioning equipments, compressors, air handling units, centrifugal fans, pumps, chillers and other similar application.

NOTE:

- 1) Adjust mounting so that upper housing clears lower housing by at least 1/4" but not more than 1/2".
- 2) Isolators should be selected in the range of -30% to +25% of rated load.

MODEL	DIMENSION IN INCHES						
	E	F	G	H	I	J	K
ZA (EXTERNAL ADJUSTMENT)	5 5/8	5 1/8	4 1/4	2 1/4	3/8	4	1/2
ZB (INTERNAL ADJUSTMENT - PIN TOP)	5 5/8	5 1/8	4 1/4	2 1/4	3/8	4 1/4	1/2
ZC (INTERNAL ADJUSTMENT - FLAT TOP)	5 5/8	5 1/8	4 1/4	2 1/4	3/8	4 1/4	1/2
ZD (INTERNAL ADJUSTMENT - NEOPRENE TOP)	5 5/8	5 1/4	4 1/4	2 1/4	3/8	4 1/2	1/2

X = (Model Types A,B,C,D see above)

ISOLATOR MODEL	RATED LOAD (LBS)	SOLID LOAD (LBS.)	DEFLECTION AT SOLID LOAD (INCH)	COLOR	
				MAIN	STRIPE
Zx-121	40	60	1.3	Silver	Blue
Zx-122	66	100	1.3	Silver	Orange
Zx-123	110	165	1.2	Silver	Brown
Zx-124	173	260	1.0	Silver	Black
Zx-125	246	370	0.8	Silver	Yellow
Zx-126	300	450	0.5	Silver	Red
Zx-127	466	700	0.45	Silver	Green